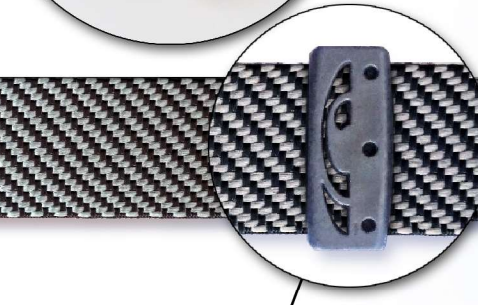


Pattern
& Technical
straps

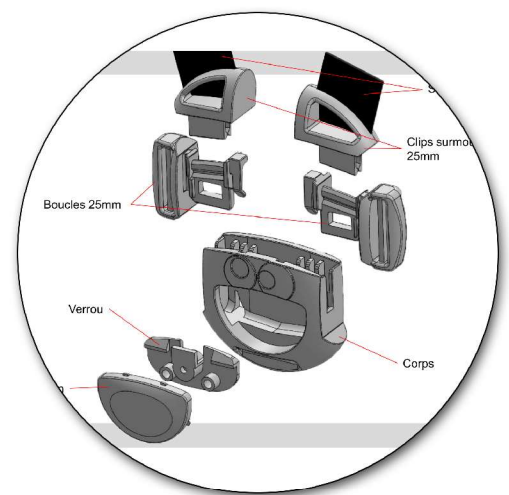


Yarn
extrusion
&
Color
Development



Overmolding
Laser cut & Sewing

Design office



www.jtti.com

janisset@jtti.com

Janisset SAS, av de la gare, BP 20, 43120 MONISTROL / LOIRE
Tél. +33 (0)4 71 66 55 11 - Fax +33 (0)4 71 66 39 50